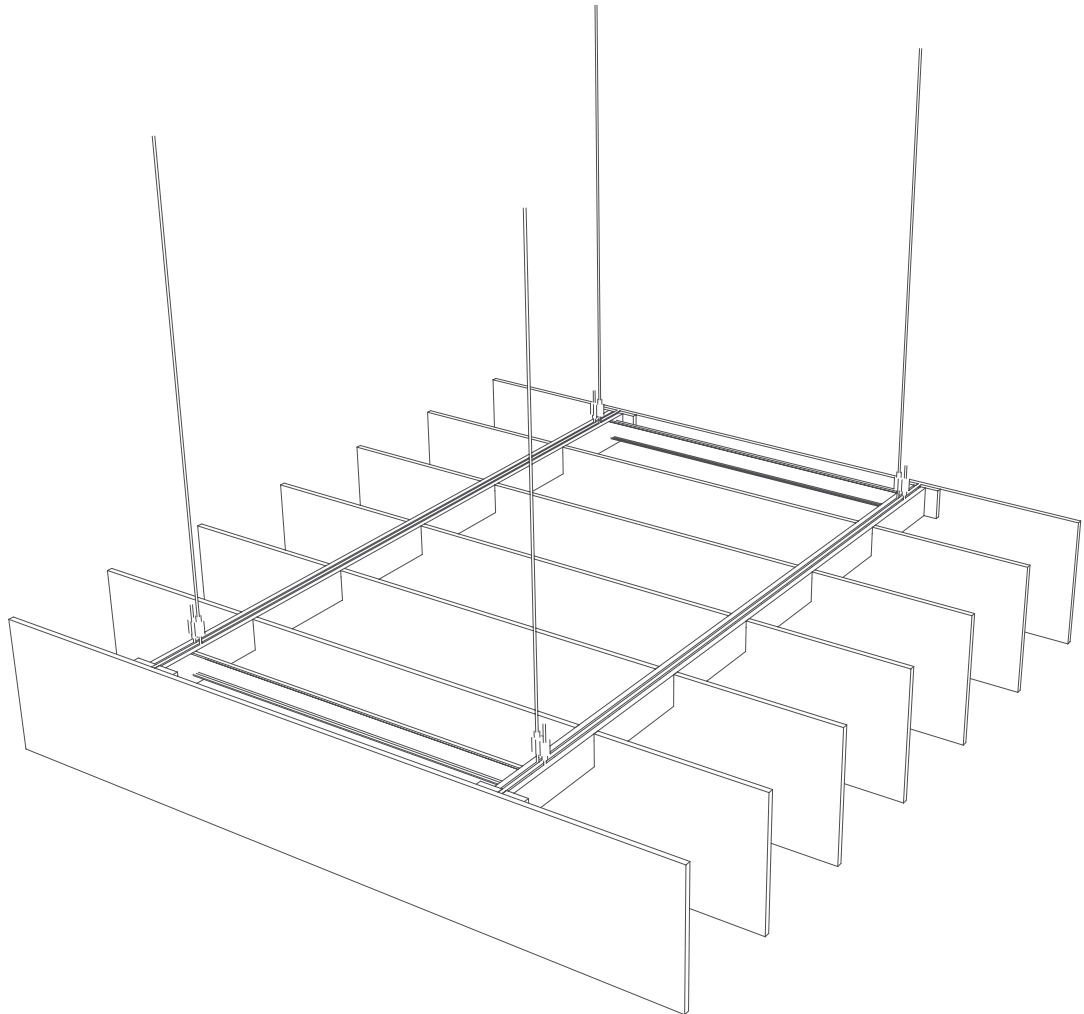


ASSEMBLY INSTRUCTIONS

BAFFLE CLOUD

*** BAFFLE CLOUD INSTALLATION GUIDE APPLIES TO ALL BAFFLE CLOUDS .**

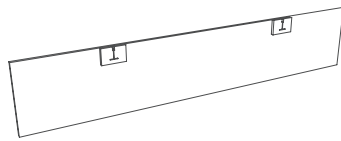
*Images reflect typical hardware options. Please refer to packing list for items & quantities specific to your order

Thank you for your order!

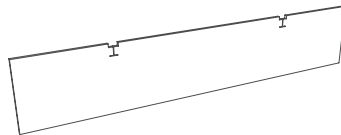
For questions or concerns regarding your order or installation, please contact customer service at 1-844-441-1122 or via email at sales@ayrsonics.com (Canada) or info@usa.ayrsonics.com (USA).

ASSEMBLY INSTRUCTIONS

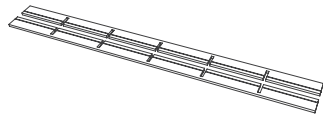
BAFFLE CLOUD



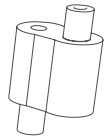
END BAFFLE **X2**



REGULAR BAFFLE **X2**



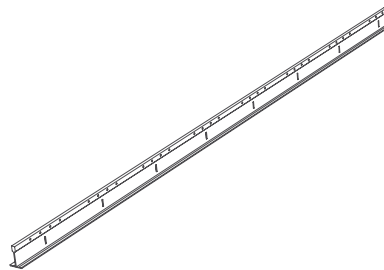
SPACER TRIM SET **X2**



LOOPING CABLE GRIPPER **X2**
CG7250



UPPER SUSPENSION HOUSING **X2**
CF6-01



MAIN TBAR **X2**



CROSS TBAR **X2**

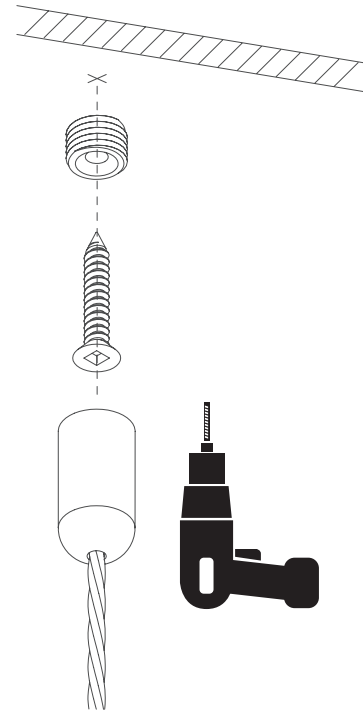
Thank you for your order!

For questions or concerns regarding your order or installation, please contact customer service at 1-844-441-1122 or via email at sales@ayrsonics.com (Canada) or info@usa.ayrsonics.com (USA).

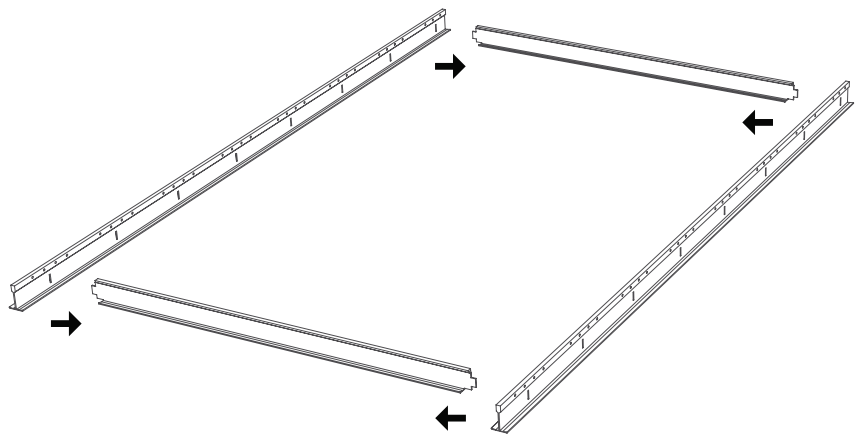
ASSEMBLY INSTRUCTIONS

BAFFLE CLOUD

- 1 Screw the CF6-01 UPPER SUSPENSION HOUSING to the ceiling (*Screws, hand drill not included.)



- 2 Assemble the TBAR GRID.



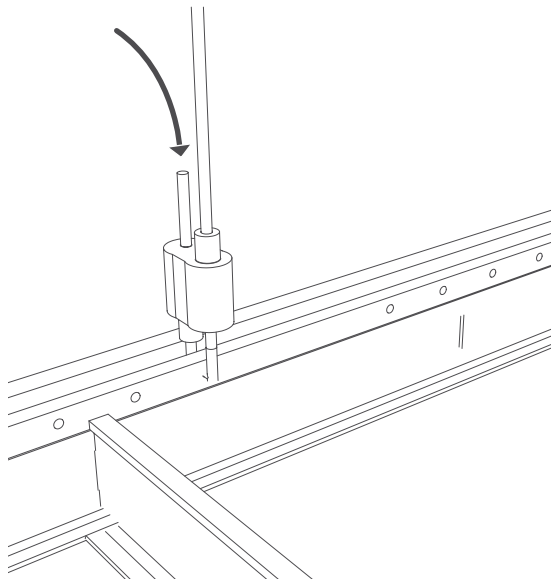
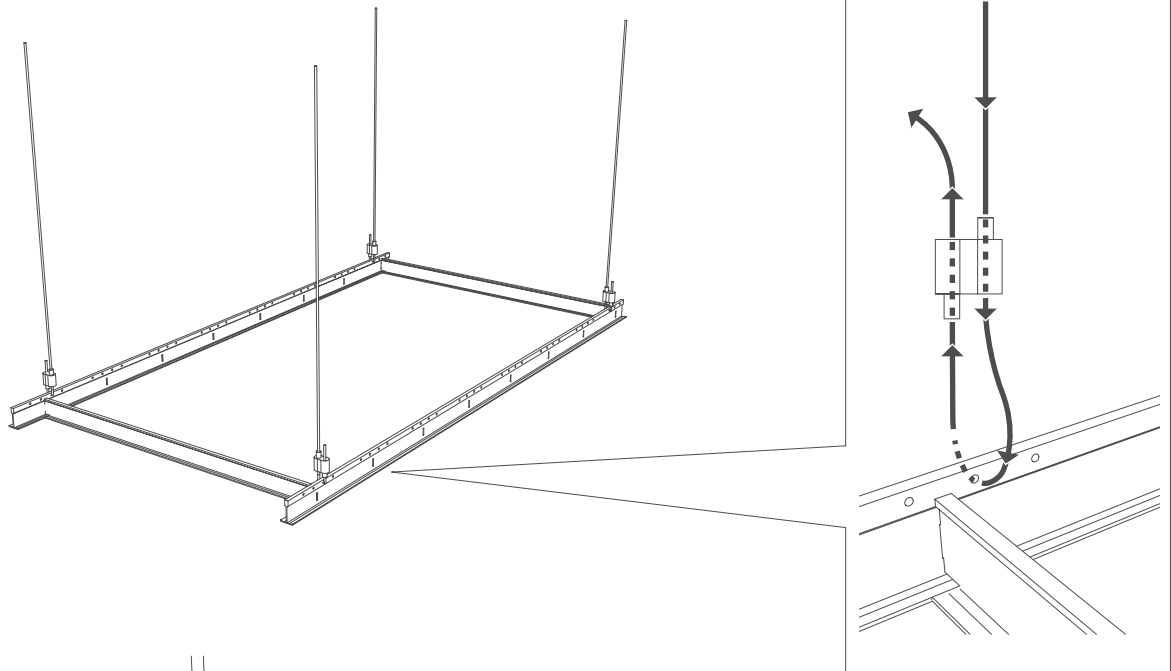
Thank you for your order!

For questions or concerns regarding your order or installation, please contact customer service at 1-844-441-1122 or via email at sales@ayrsonics.com (Canada) or info@usa.ayrsonics.com (USA).

ASSEMBLY INSTRUCTIONS

BAFFLE CLOUD

- 3** Loop the cable of CF6-01 through the holes on the TBAR GRID with the CG7250 LOOPING CABLE GRIPPER.



- 4** Adjust the cables to level TBAR GRID by pulling the cable coming out of the CG7250 LOOPING CABLE GRIPPER.

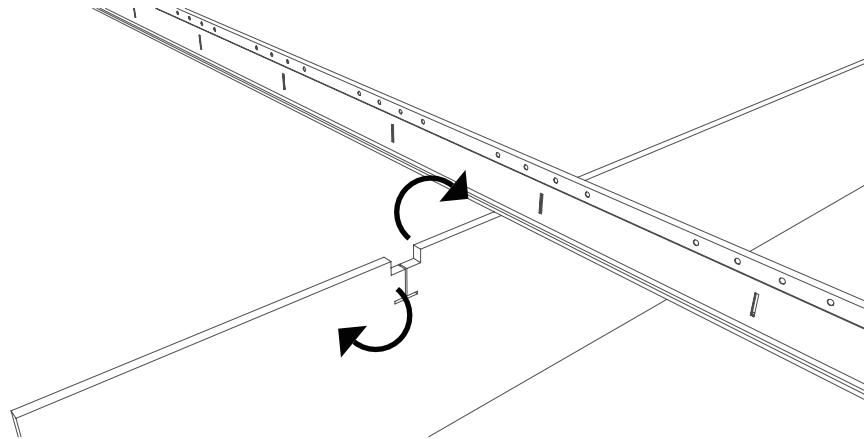
Thank you for your order!

For questions or concerns regarding your order or installation, please contact customer service at 1-844-441-1122 or via email at sales@ayrsonics.com (Canada) or info@usa.ayrsonics.com (USA).

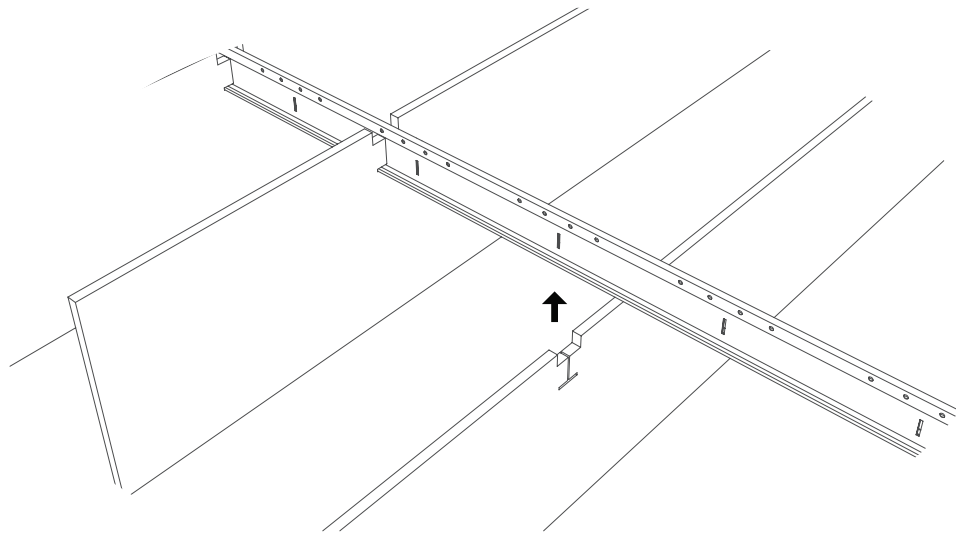
ASSEMBLY INSTRUCTIONS

BAFFLE CLOUD

- 5** Twist open the TBAR cut out on the BAFFLE and then push the .



- 6** Adjust the cables to level TBAR GRID by pulling the cable coming out of the CG7250 LOOPING CABLE GRIPPER.



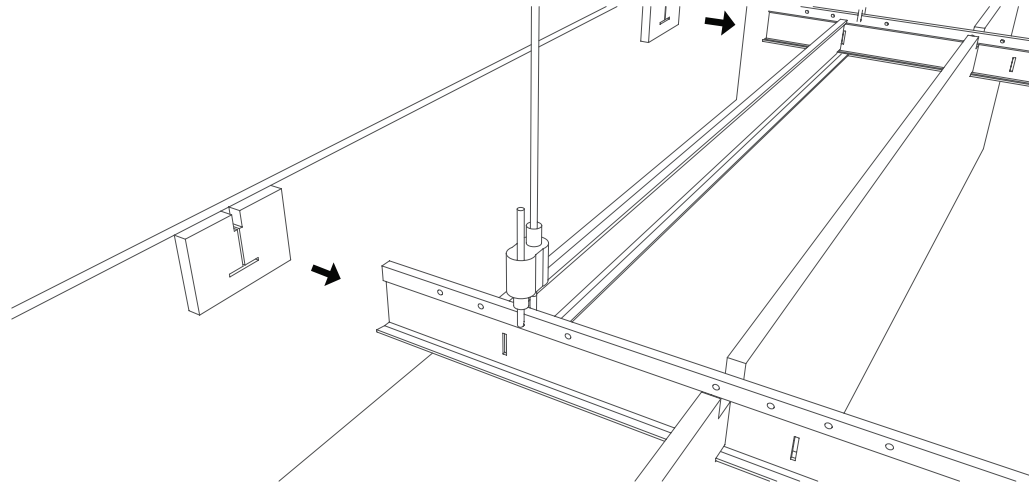
Thank you for your order!

For questions or concerns regarding your order or installation, please contact customer service at 1-844-441-1122 or via email at sales@ayrsonics.com (Canada) or info@usa.ayrsonics.com (USA).

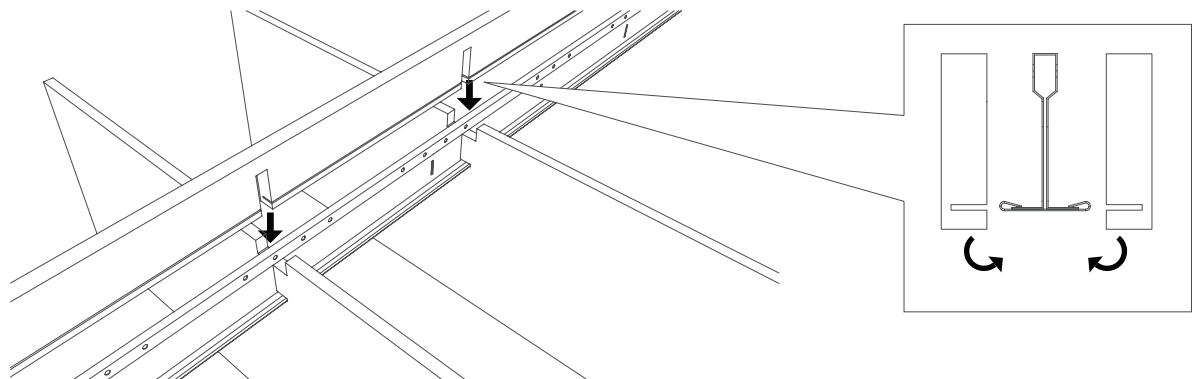
ASSEMBLY INSTRUCTIONS

BAFFLE CLOUD

- 7** Push the end baffles onto the end of the TBAR GRID.



- 8** Push the SPACER into the cavity of BAFFLE, and hook the horizontal slot on the SPACER onto the horizontal part of the TBAR.



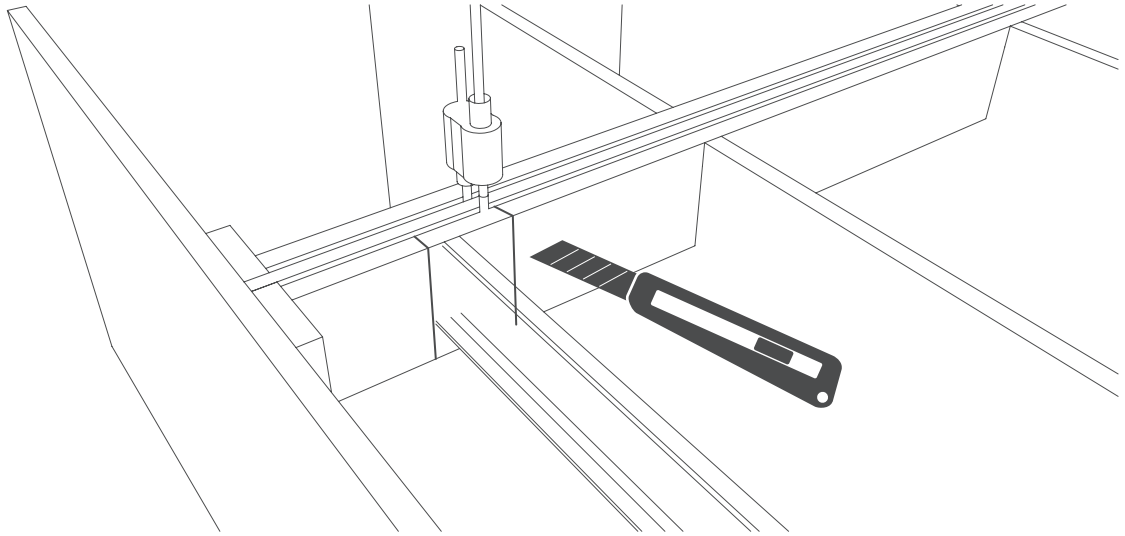
Thank you for your order!

For questions or concerns regarding your order or installation, please contact customer service at 1-844-441-1122 or via email at sales@ayrsonics.com (Canada) or info@usa.ayrsonics.com (USA).

ASSEMBLY INSTRUCTIONS

BAFFLE CLOUD

- 9** Use a knife cut off the material of the SPACER where there is the Cross TBAR.



Thank you for your order!

For questions or concerns regarding your order or installation, please contact customer service at 1-844-441-1122 or via email at sales@ayrsonics.com (Canada) or info@usa.ayrsonics.com (USA).